

auto electrical parts

Technical Information Sheet

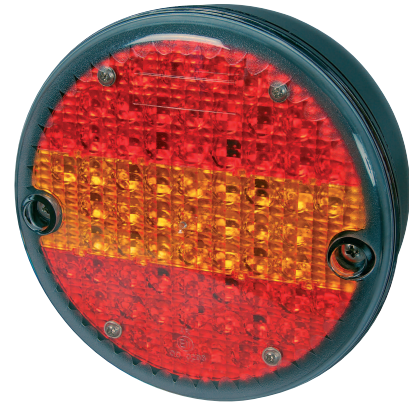
Part No. 0-097-60

Commercial rear lamp, 12/24 volt LED, universal fitting.
 Stop / tail / direction indicator. I 140 x w 82 x h 140mm.
 ECE approved.

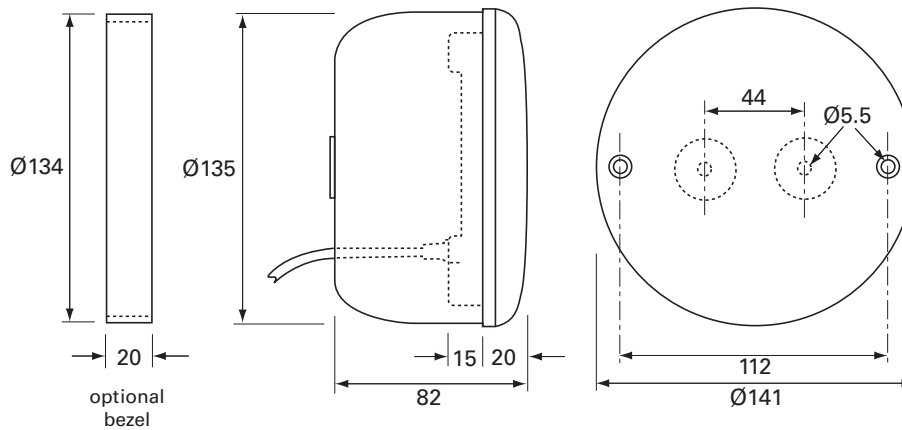
Additional information

Red wire Stop
 Brown wire Tail
 Yellow wire Indicator
 White wire Ground/negative

A black bezel, part 0-097-98, is available to replace the base and allow a shallower fitting.



Technical Drawing (not to scale)



Specification

Type	Commercial rear lamp
Light source	45 LEDs
Voltage	10 - 30 volt dc
Current at 12/24v	Stop 0.21/0.12 amp Tail 0.03/0.02 amp Indicator 0.12/0.09 amp
Lens	Acrylic
Body material	Housing ABS, base polycarbonate
Lead	400mm
Operating temp	-25°C to +60°C
Weight	360g
Dimensions	See diagram above
Protection	IP65
Compliance	ECE

The information contained in this document is correct to the best of our knowledge at the time of printing. However, specifications may change at any time without notice.